



222 Metro Center Blvd. | Warwick, RI 02886
Phone (401) 921-5170 | Fax (401) 921-5159

Basic SrataBox – Hypack

Instructions for configuring Stratabox to use with survey software and laptop PC

- 1 Install PCMCIA 4 port serial card. Recommend Quatech QSP-100. Windows will assign COM ports for connectors A through D. Typically it will be COM 5 through 8 where COM 5 is A, COM 6 is B etc.
- 2 Connect Interface cable to 4 port cable and equipment as shown in Figure 1.
- 3 In Stratabox software, select EDIT from taskbar then “Configure Sonar Port”. Select COM port Windows assigned for connector A.
- 4 In Stratabox software, select EDIT from taskbar then “Configure NMEA I/O”. Select COM port Windows assigned for connector B. Select Baud rate, Data bits, Stop bits and parity to match your GPS. Select NMEA DBT output string for Stratabox.
- 5 Connect your GPS receiver to Interface Connector # 2.
- 6 In survey software (Hypack, Hydropro etc), select COM port Windows assigned for connector C as GPS input.
- 7 In survey software, select COM port Windows assigned for connector D as your echosounder input.

NOTES:

For Hypack use syqwest.dll driver.

For Hydropro, use generic echosounder driver and configure to accept NMEA DBT strings.

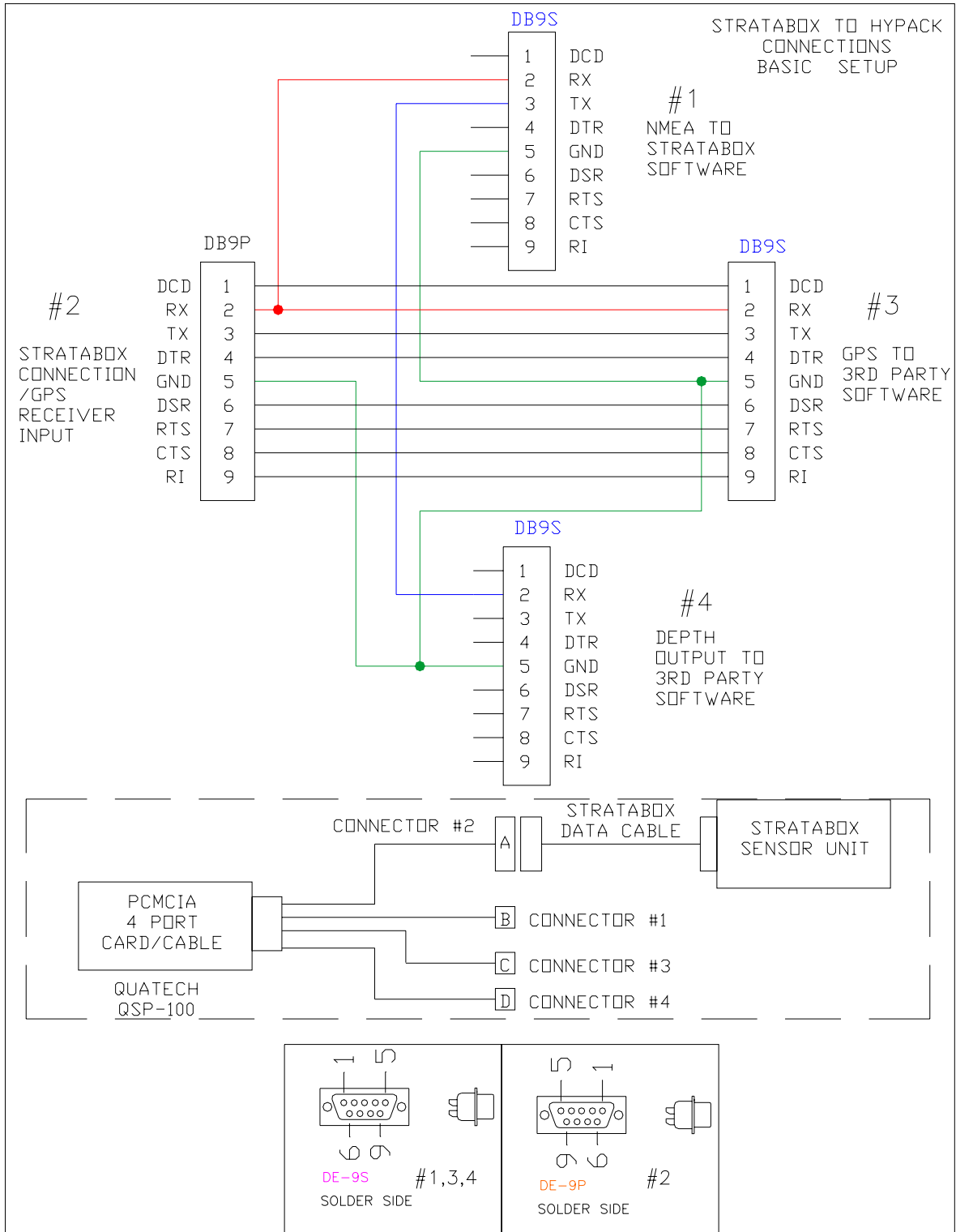


Figure 1



222 Metro Center Blvd. | Warwick, RI 02886
 Phone (401) 921-5170 | Fax (401) 921-5159

